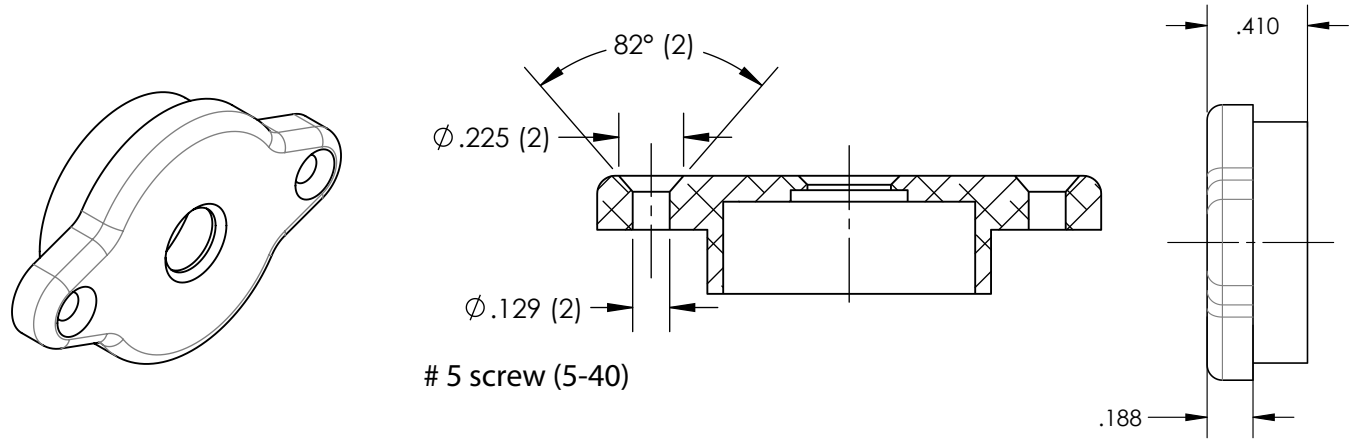




715 Center Street Grayslake IL 60030  
P: 847.752.2700 F: 847.752.2415  
www.livorsi.com info@livorsi.com

Model Numbers: LEDG, LEDR, LEDW  
Flange Mount LED Light



### Installation Template

